

# Introduction to Android Proximity Sensor

CS 436 Software Development on Mobile

**Dr.Paween Khoenkaw**

Department of Computer Science  
Maejo University

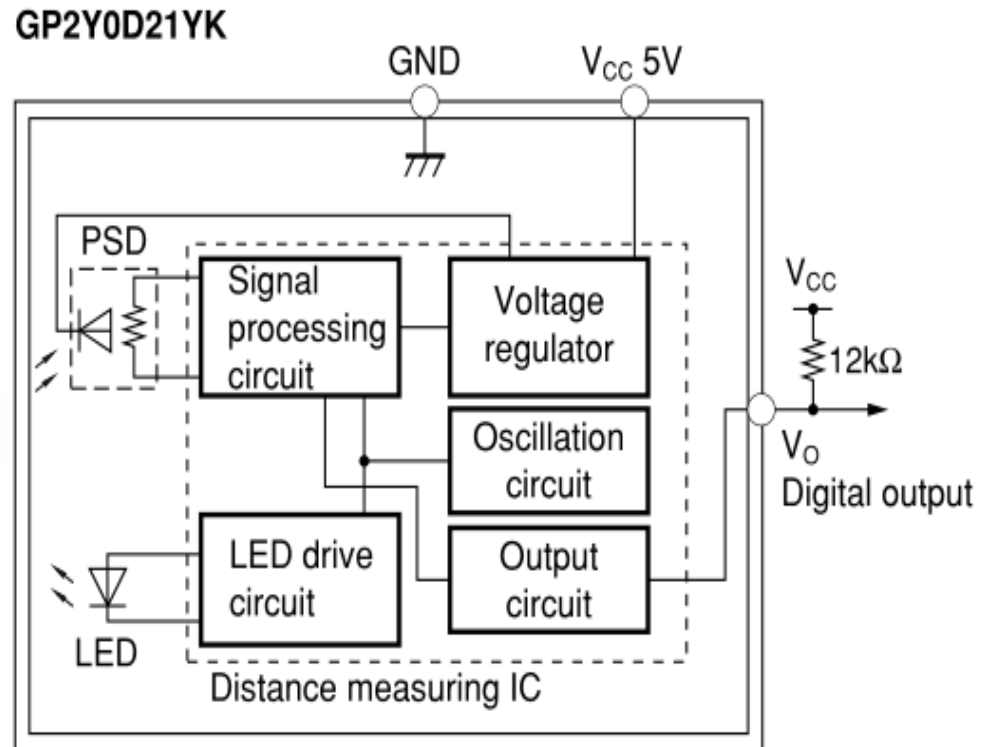
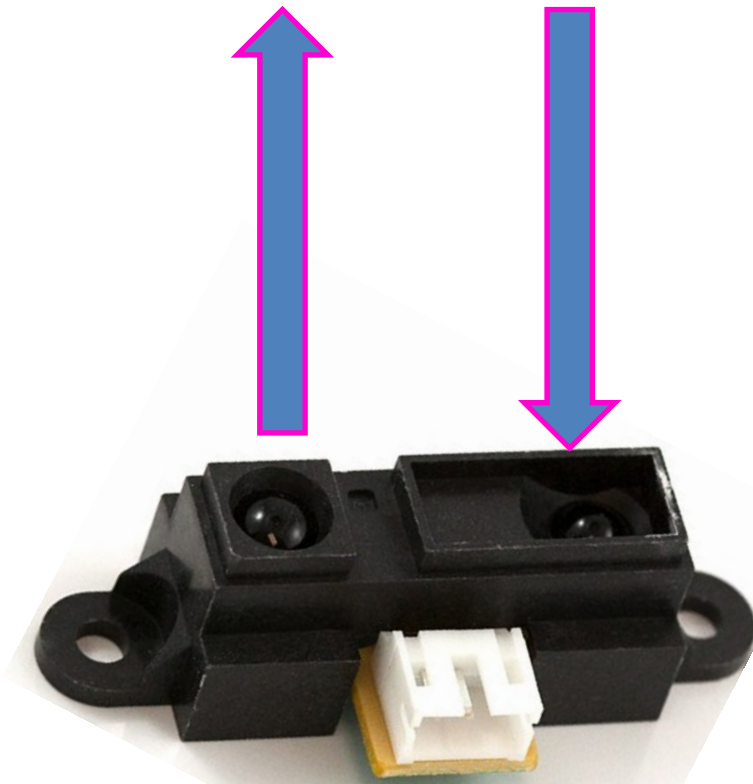


# Proximity sensor

- Measure distance from sensor to object
- Return distance in cm unit
- Mostly return 0 and 1

# How proximity sensor work

Proximity sensor is Light sensor + IR emitter



# Proximity Sensor

## The Application

- Automatic turn screen off
- Hide GUI
- Power savings



# Programming Light intensity Sensor

## Get the sensor

```
SensorManager mSensorManager;  
Sensor mProximity;  
mProximity = mSensorManager.getDefaultSensor(Sensor  
.TYPE_PROXIMITY);
```

## Get the sensor data

```
@Override  
public void onSensorChanged(SensorEvent event) {  
    if(event.sensor.getType()==Sensor .TYPE_PROXIMITY){  
        editText1.setText(sensorinfo+ "\nDistance Sensor Reading:"  
        + String.valueOf(event.values[0]) + " cm");  
    }  
}
```

Thank you 😊